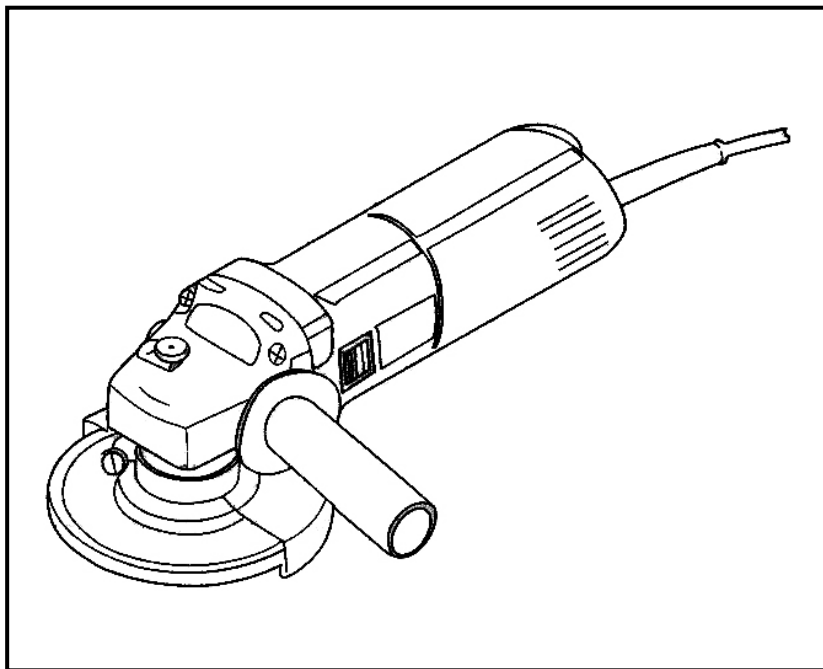


PATTA®

Angle Grinder

AAG07-100/AAG07-115

OPERATION INSTRUCTIONS



Read through carefully and understand these instructions before use.

General Power Tool Safety Warnings

(For All Power Tools)

⚠ WARNING! Read and understand all instructions. Failure to follow all instructions listed below may result in electric shock, fire and/or serious personal injury.

Save all warnings and instructions for future reference.

The term "power tool" in the warnings refers to your mains-operated (corded) power tool or battery-operated (cordless) power tool.

Work Area Safety

1. **Keep work area clean and well lit.** Cluttered or dark areas invite accidents.
2. **Do not operate power tools in explosive atmospheres, such as in the presence of flammable liquids, gases, or dust.** Power tools create sparks which may ignite the dust or fumes.
3. **Keep children and bystanders away while operating a power tool.** Distractions can cause you to lose control.

Electrical Safety

4. **Power tool plugs must match the outlet. Never modify the plug in anyway. Do not use any adapter plugs with earthed (grounded) power tools.** Unmodified plugs and matching outlets will reduce risk of electric shock.
5. **Avoid body contact with earthed or grounded surfaces, such as pipes, radiators, ranges and refrigerators.** There is an increased risk of electric shock if your body is earthed or grounded.
6. **Do not expose power tools to rain or wet conditions.** Water entering a power tool will increase the risk of electric shock.
7. **Do not abuse the cord. Never use the cord for carrying, pulling or unplugging the power tool. Keep cord away from heat, oil, sharp edges or moving parts.** Damaged

or entangled cords increase the risk of electric shock.

8. **When operating a power tool outdoors, use an extension cord suitable for outdoor use.** Use of a cord suitable for outdoor use reduces the risk of electric shock.
9. **If operating a power in a damp location is unavoidable, use a residual current device (RCD) protected supply.** Use of an RCD reduces the risk of electric shock.

NOTE: The term "residual current device (RCD)" may be replaced by the term "ground fault circuit interrupter (GFCI)" or "earth leakage circuit breaker (ELCB)".

Personal Safety

10. **Stay alert, watch what you are doing and use common sense when operating a power tool. Do not use a power tool while you are tired or under the influence of drugs, alcohol, or medication.** A moment of inattention while operating power tools may result in serious personal injury.
11. **Use personal protective equipment. Always wear eye protection.** Protective equipment such as dust mask, non-skid safety shoes, hard hat, or hearing protection used for appropriate conditions will reduce personal injuries.
12. **Prevent unintentional starting. Ensure the switch is in the off-position before connecting to power source and /or battery pack, picking up or carrying the tool.** Carrying power tools with your finger on the switch or energising power tools that have the switch on invites accidents.
13. **Remove any adjusting key or wrench before turning the tool on.** A wrench or a key left attached to a rotating part of the power tool may result in personal injury.
14. **Do not overreach. Keep proper footing and balance at all times.** This enables better control of the power tool in unexpected situations.
15. **Dress properly. Do not wear loose clothing or jewellery. Keep your hair, clothing, and gloves away from moving parts.** Loose clothes, jewellery or long hair can be caught in moving parts.
16. **If devices are provided for the connection of dust extraction and collection facilities, ensure these are connected and properly used.** Use of dust collection can reduce dust-related hazards.

Power Tool Use and Care

17. **Do not force the power tool. Use the correct power tool for your application.** The correct power tool will do the job better and safer at the rate for which it was designed.
18. **Do not use tool if switch does not turn it on or off.** Any power tool that cannot be controlled with the switch is dangerous and must be repaired.
19. **Disconnect the plug from the power source and/or the battery pack from the power tool before making any adjustments, changing accessories, or storing power tools.** Such preventive safety measures reduce the risk of starting the power tool accidentally.
20. **Store idle power tools out of the reach of children and do not allow persons unfamiliar with the power tool or these instructions to operate the power tool.** Power tools are dangerous in the hands of untrained users.
21. **Maintain power tools. Check for misalignment or binding of moving parts, breakage of parts and any other condition that may affect the power tool's operation. If damaged, have the power tool repaired before use.** Many accidents are caused by poorly maintained power tools.
22. **Keep cutting tools sharp and clean.** Properly maintained cutting tools with sharp cutting edges are less likely to bind and are easier to control.
23. **Use the power tool, accessories and tool bits etc. in accordance with these instructions, taking into account the working conditions and the work to be performed.** Use of the power tool for operations different from those intended could result in a hazardous situation.

Service

24. **Have your power tool serviced by a qualified repair person using only identical replacement parts.** This will ensure that the safety of the power tool is maintained.

VOLTAGE WARNING:

Before connecting the machine to a power source (receptacle, outlet, etc.), be sure the voltage supplied is the same as that specified on the nameplate of the machine. A power source with voltage greater than that specified for the machine can result in SERIOUS INJURY to the user, as well as damage to the machine. If in doubt, DO NOT PLUG IN THE MACHINE.

Using a power source with voltage less than nameplate rating is harmful to the motor.

SPECIFICATIONS

Model		AAG07-100	AAG07-115
Rated Power Input		710W	710W
Rated Speed		13000 r/min	11800 r/min
Wheel Size	External dia.	100mm	115mm
	Thickness	4 mm	4 mm
	Internal dia.	16mm	22 mm
Net Weight		1.6 kg	1.6kg

※Due to the continuing program of research and development, the specifications herein are subject to change without prior notice.

Safety Instructions For All Operations

General Safety Warnings for Grinding

- a) This power tool is intended to function as a grinder. Read all safety warnings, instructions, illustrations and specifications provided with this power tool. Failure to follow all instructions listed below may result in electric shock, fire and/or serious injury.
- b) Operations such as sanding, wire brushing, polishing and cutting-off are not recommended to be performed with this power tool. Operations for which the power tool was not designed may create a hazard and cause personal injury.
- c) Do not use accessories which are not specifically designed and recommended by the tool manufacturer. Just because the accessory can be attached to your power tool, it does not assure safe operation.
- d) The rated speed of the accessory must be at least equal to the maximum speed marked on the power tool. Accessories running faster than their rated speed can break and fly

apart.

- e) The outside diameter and the thickness of your accessory must be within the capacity rating of your power tool. Incorrectly sized accessories cannot be adequately guarded or controlled.
- f) Threaded mounting of accessories must match the grinder spindle thread. For accessories mounted by flanges, the arbour hole of the accessory must fit the locating diameter of the flange. Accessories that do not match the mounting hardware of the power tool will run out of balance, vibrate excessively and may cause loss of control.
- g) Do not use a damaged accessory. Before each use, inspect the accessory such as abrasive wheels for chips and cracks, backing pad for cracks, tear or excess wear, wire brush for loose or cracked wires. If power tool or accessory is dropped, inspect for damage or install an undamaged accessory. After inspecting and installing an accessory, position yourself and bystanders away from the plane of the rotating accessory and run the power tool at maximum no-load speed for one minute. Damaged accessories will normally break apart during this test time.
- h) Wear personal protective equipment. Depending on application, use a face shield, safety goggles or safety glasses. As appropriate, wear dust mask, hearing protectors, gloves and workshop apron capable of stopping small abrasive or work piece fragments. The eye protection must be capable of stopping flying debris generated by various operations. The dust mask or respirator must be capable of filtering particles generated by your operation. Prolonged exposure to high intensity noise may cause hearing loss.
- i) Keep bystanders a safe distance away from work area. Anyone entering the work area must wear personal protective equipment. Fragments of workpiece or of a broken accessory may fly away and cause injury beyond immediate area of operation.
- j) Hold the power tool by insulated gripping surfaces only, when performing an operation where the cutting accessory may contact hidden wiring or its own cord. Cutting accessory contacting a "live" wire may make exposed metal parts of the power tool "live" and could give the operator an electric shock.
- k) Position the cord clear of the spinning accessory. If you lose control, the cord may be cut or snagged and your hand or arm may be pulled into the spinning accessory.
- l) Never lay the power tool down until the accessory has come to a complete stop. The spinning accessory may grab the surface and pull the power tool out of your control.

- m) Do not run the power tool while carrying it at your side. Accidental contact with the spinning accessory could snag your clothing, pulling the accessory into your body.
- n) Regularly clean the power tool's air vents. The motor's fan will draw the dust inside the housing and excessive accumulation of powdered metal may cause electrical hazards.
- o) Do not operate the power tool near flammable materials. Sparks could ignite these materials.
- p) Do not use accessories that require liquid coolants. Using water or other liquid coolants may result in electrocution or shock.

Further safety instructions for all operations

Kickback and Related Warnings

Kickback is a sudden reaction to a pinched or snagged rotating wheel, backing pad, brush or any other accessory. Pinching or snagging causes rapid stalling of the rotating accessory which in turn causes the uncontrolled power tool to be forced in the direction opposite of the accessory's rotation at the point of the binding.

For example, if an abrasive wheel is snagged or pinched by the workpiece, the edge of the wheel that is entering into the pinch point can dig into the surface of the material causing the wheel to climb out or kick out. The wheel may either jump toward or away from the operator, depending on direction of the wheel's movement at the point of pinching. Abrasive wheels may also break under these conditions.

Kickback is the result of power tool misuse and/or incorrect operating procedures or conditions and can be avoided by taking proper precautions as given below.

- a) Maintain a firm grip on the power tool and position your body and arm to allow you to resist kickback forces. Always use auxiliary handle, if provided, for maximum control over kickback or torque reaction during start-up. The operator can control torque reactions or kickback forces, if proper precautions are taken.
- b) Never place your hand near the rotating accessory. Accessory may kickback over your hand.
- c) Do not position your body in the area where power tool will move if kickback occurs. Kickback will propel the tool in direction opposite to the wheel's movement at the point of snagging.
- d) Use special care when working corners, sharp edges etc. Avoid bouncing and snagging the accessory. Corners, sharp edges or bouncing have a tendency to snag the rotating

accessory and cause loss of control or kickback.

- e) Do not attach a saw chain woodcarving blade or toothed saw blade. Such blades create frequent kickback and loss of control.

Additional Safety Warnings for Grinding Operation

- a) Use only wheel types that are recommended for your power tool and the specific guard designed for the selected wheel. Wheels for which the power tool was not designed cannot be adequately guarded and are unsafe.
- b) The grinding surface of centre depressed wheels must be mounted below the plane of the guard lip. An improperly mounted wheel that projects through the plane of the guard lip cannot be adequately protected.
- c) The guard must be securely attached to the power tool and positioned for maximum safety, so the least amount of wheel is exposed towards the operator. The guard helps to protect operator from broken wheel fragments and accidental contact with wheel and sparks that could ignite clothing.
- d) Wheels must be used only for recommended applications. For example: do not grind with the side of cut-off wheel. Abrasive cut-off wheels are intended for peripheral grinding, side forces applied to these wheels may cause them to shatter.
- e) Always use undamaged wheel flanges that are of correct size and shape for your selected wheel. Proper wheel flanges support the wheel thus reducing the possibility of wheel breakage. Flanges for cut-off wheels may be different from grinding wheel flanges.
- f) Do not use worn down wheels from larger power tools. Wheel intended for larger power tool is not suitable for the higher speed of a smaller tool and may burst.

SAVE THESE INSTRUCTIONS.

WARNING! MISUSE or failure to follow the safety rules stated in this instruction manual may cause serious personal injury.

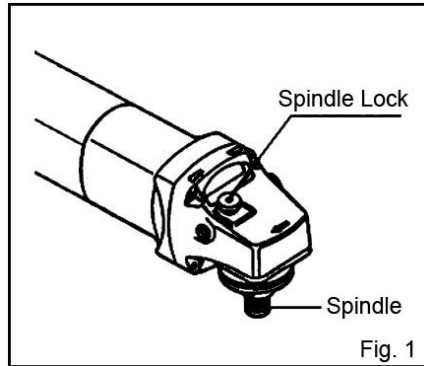
Instructions For Operation

Spindle Lock

CAUTION:

- Always be sure that the tool is switched off and unplugged before adjusting or checking function on the tool.
- Never actuate the spindle lock when the spindle is moving. The tool may be damaged.

Press the spindle lock to prevent spindle rotation when installing or removing accessories. (Fig. 1)



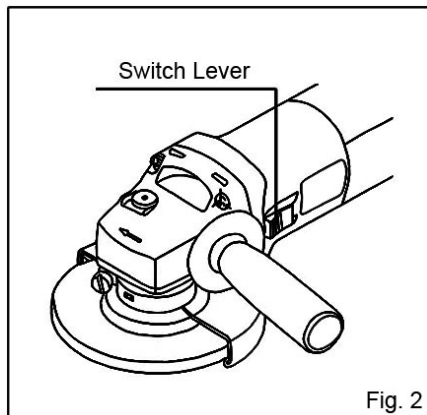
Switch Operation

CAUTION:

Before plugging in the tool, always check to see that the switch actuates properly and returns to the "OFF" position when the rear of the switch lever is depressed.

To switch ON, depress the rear of the switch lever and push it forward. Then depress the front of the switch lever to lock it.

To switch OFF, depress the rear of the switch lever. (Fig. 2)

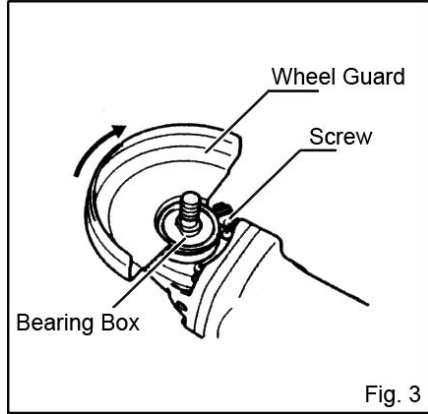


Installing or Removing the Wheel Guard

CAUTION:

- Always be sure that the tool is switched OFF and unplugged before installing or removing the wheel guard.
- Never actuate the shaft lock when the spindle is moving. The tool may be damaged.

Mount the wheel guard with the protrusion on the wheel guard band aligned with the notch on the bearing box. Then rotate the wheel guard around 180 degrees. Be sure to tighten the screw securely. (Fig. 3)



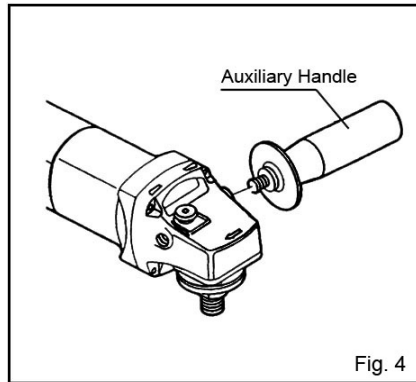
To remove the wheel guard, follow the installation procedure in reverse.

Installing the Auxiliary Handle

CAUTION:

- Always be sure that the tool is switched off and unplugged before carrying out any work on the tool.
- Always be sure that the auxiliary handle is installed securely before operation.

Screw the auxiliary handle securely on either side of the tool head (gear housing). (Fig. 4)



Installing or Removing the Depressed Center Wheel

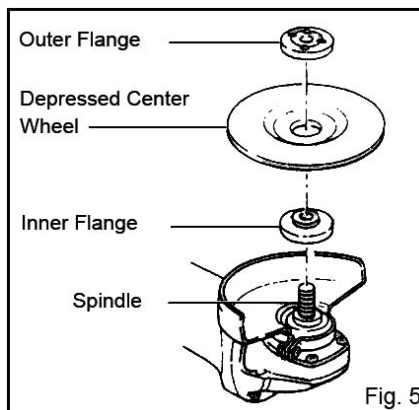
CAUTION:

- Always be sure that the tool is switched OFF and unplugged before installing or removing the wheel.
- When using a depressed center grinding wheel, the wheel guard must be fitted on the tool so that the closed side of the guard always points toward the operator.

Screw the inner flange onto the spindle.

Then fit the wheel on over the inner flange

and screw the outer flange onto the spindle. (Fig. 5)



Press the spindle lock firmly so that the spindle cannot revolve and then use the lock nut wrench to tighten the outer flange securely.

To remove the wheel, follow the installation procedures in reverse.

Grinding and Sanding Operation

WARNING:

- It should never be necessary to force the tool. The weight of the tool applies adequate pressure. Forcing and excessive pressure could cause dangerous wheel breakage.
- ALWAYS replace wheel if tool is dropped while grinding.
- NEVER bang or hit grinding disc or wheel onto work.
- Avoid bouncing and snagging the wheel, especially when working corners, sharp edges etc. This can cause loss of control and kickback.
- NEVER use tool with wood cutting blades and other sawblades. Such blades when used on a grinder frequently kick and cause loss of control leading to personal injury.

Hold the tool firmly, turn the tool on and then apply the wheel or disc at an angle of about 15° to the workpiece. **(Fig. 6)**

During the break-in period with a new wheel, do not work the grinder in the B direction, or it will cut into the workpiece. Once the edge of the wheel has been rounded off by use, the wheel may be worked in both A and B directions. **(Fig. 6)**

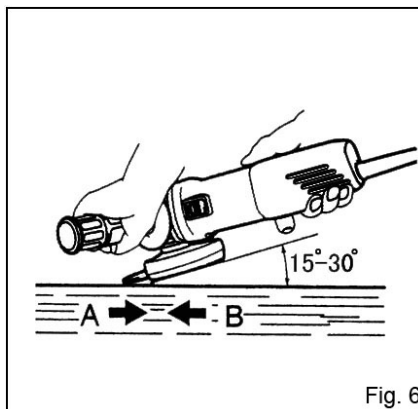


Fig. 6

CAUTION:

After operation, always switch off the tool and wait until the wheel has come to a complete stop before putting the tool down.

Maintenance And Inspection

CAUTION !

Always be sure that the tool is switched off and unplugged before attempting to perform inspection or maintenance.

After Use

Blow away dust from the inside of the tool by running the tool at an idle for a while.

Brush off accumulation of dust on the base.

Accumulation of dust in the motor or on the base may cause a malfunction of the tool.

Inspecting the Depressed Center Wheel

Ensure that the depressed center wheel is free of cracks and surface defects.

Inspecting the Mounting Screws

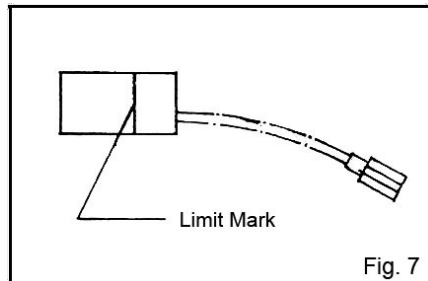
Regularly inspect all mounting screws and ensure that they are properly tightened. Should any of the screws be loose, retighten them immediately. Failure to do so could result serious hazard.

Maintenance of the Motor

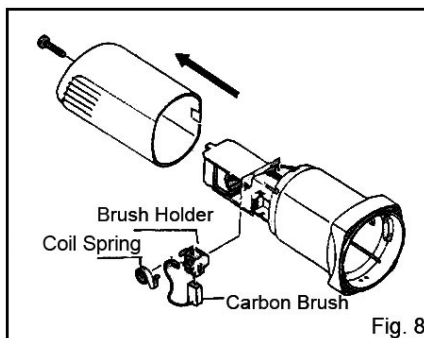
The motor unit winding is the very "heart" of the power tool. Exercise due care to ensure the winding does not become damaged and /or wet with oil or water.

Replacing Carbon Brushes

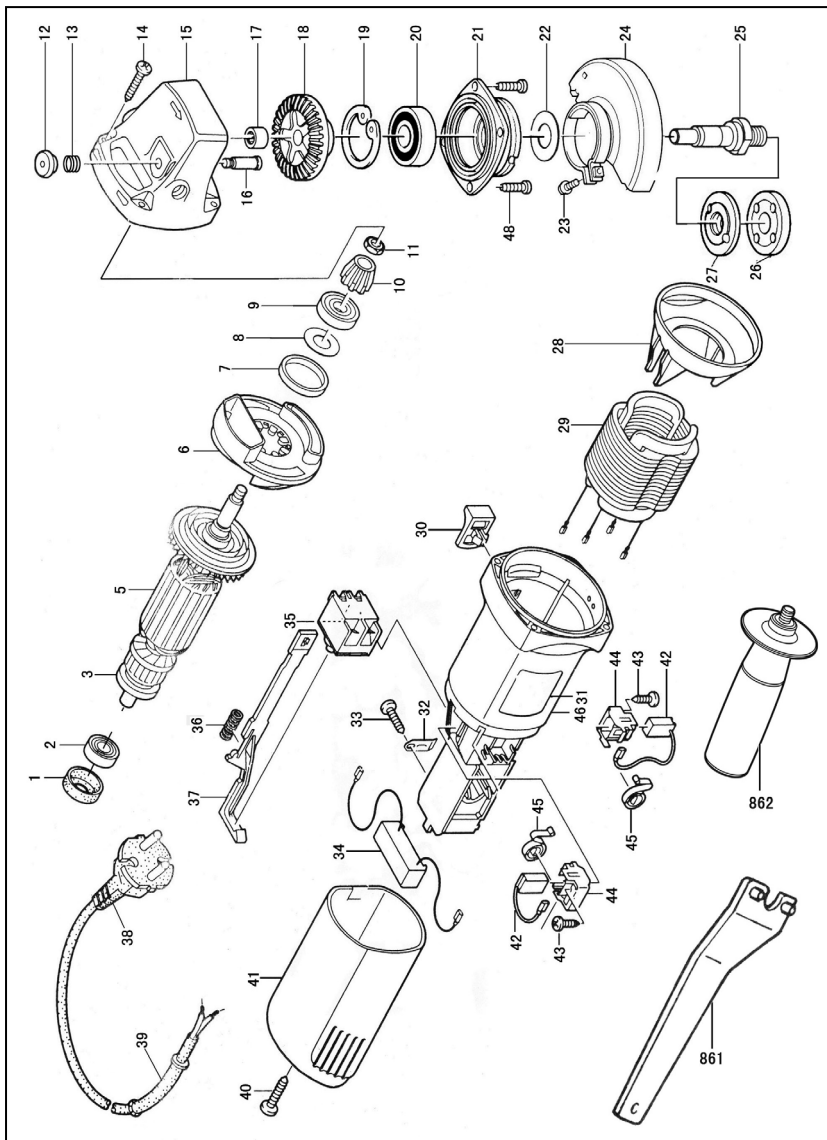
Remove and check the carbon brushes regularly. Replace when they wear down to the limit mark. Keep the carbon brushes clean and free to slip in the holders. Both carbon brushes should be replaced at the same time. Use only identical carbon brushes. (Fig. 7)



Use a screwdriver to remove the rear cover. Disconnect the carbon brush from the brush holder, then draw the coil spring and take out the worn carbon bush and replace new one; Release the coil spring and reconnect the carbon brush with the brush holder. And then tighten the rear cover securely. (Fig. 8)



- ※ Damaged cord must be replaced by a special cord purchased from authorized service center.
- ※ To maintain product SAFETY and RELIABILITY, repairs, any other maintenance or adjustment should be performed by authorized centers, always using original replacement parts.



EXPLANATION OF GENERAL VIEW

1	Bearing Cover	27	Inner Flange
2	Ball Bearing		
3	Insulation Washer	28	Baffle Plate
5	Armature Assembly		
6	Guide Plate	29	Stator Assembly
7	Oil Seal	30	Switch Knob
8	Shim	31	Nameplate
9	Ball Bearing	32	Strain Relief
10	Driving Spiral Bevel Gear	33	Pan Head Tapping Screw
11	Hex. Nut	34	Capacitor
12	Lock Nut	35	Switch Assembly
13	Autolocking Spring	36	Compression Spring
14	Pan Head Tapping Screw	37	Switch Lever
15	Gear Housing	38	Cord
16	Lock Pin	39	Cord Guard
17	Needle Bearing	40	Pan Head Tapping Screw
18	Driven Spiral Bevel Gear	41	Rear Cover
19	Circlip for Hole	42	Carbon Brush
20	Ball Bearing		
21	Bearing Box	43	Pan Head Tapping Screw
22	Shim	44	Carbon Brush Holder
23	Cheese Head Screw		
24	Wheel Cover	45	Belleville Spring
		46	Motor Housing
25	Drive Spindle	47	Inductance
		48	Pan Head Screw
26	Outer Flange	861	Wrench
		862	Auxiliary Handle

تحذيرات السلامة العامة لأداة الطاقة

(جميع ادوات الطاقة)

⚠️ **تحذير! قراءة وفهم كل التعليمات.** قد يؤدي عدم اتباع كل التعليمات المسجلة التالية ضمن القائمة الى الصدمة الكهربائية، والحرائق و / أو إصابات شخصية خطيرة.

احتفاظ بكل التحذيرات والتعليمات للمرجع المستقبلي.

يشير المصطلح "أداة الطاقة" في التحذيرات إلى أداة الطاقة التي تعمل بالتيار الكهربائي (الاسلك المستخدم) أو أداة الطاقة التي تعمل بالبطارية (دون استخدام السلك).

سلامة مكان العمل

1. الاحتفاظ بمنطقة العمل نظيفة ومضاءة جيدا. المناطق المشوشة أو الداكنة تسبب الحوادث.
2. لا تقم بتشغيل أدوات الطاقة في الأجواء المتفجرة، مثل وجود السوائل القابلة للاشتعال أو الغازات أو الغبار. أدوات كهربائية تخلق الشرارات التي قد تشعل الغبار أو الأبخرة.
3. إبقاء الأطفال والمارة بعيدا أثناء تشغيل أداة الطاقة. الانحرافات يمكن أن يؤدي إلى فقدان السيطرة.

السلامة الكهربائية

4. يجب قوايس أداة الطاقة على تطابق مأخذ التيار الكهربائي. لا تعدل القابيس ابدا على كل حال. لا تستخدم اي قابيس مهائى مع ادوات الطاقة بموصول بالأرض (المؤرضة). القوايس غير المعدلة. سيقلل مأخذ التيار الكهربائي المتطابقة من خطر حدوث صدمة كهربائية.
5. تجنب تلامس جسديا مع السطحات المؤرضة أو بموصول بالأرض مثلا مثل الأنابيب، المشعات، النطاقات والثلاجات. هناك خطر متزايد من الصدمة الكهربائية إذا كان جسمك هو المؤرض أو بموصول بالأرض
6. لا تعرض ادوات الطاقة في الحالات البللة أو الممطرة. يزيد الماء الذي يدخل في ادوة الطاقة خطر حدوث صدمة كهربائية.
7. لا تسيئ السلك. لا تستخدم السلك أبدا لحمل أو سحب أو فصل أداة الطاقة. إبقاء السلك بعيدا عن الحرارة، النفط، حواف حادة أو أجزاء متحركة. تؤدي اسلاك المتضررة أو المتشابكة إلى زيادة خطر حدوث صدمة كهربائية.
8. عند تشغيل أداة طاقة في الهواء الطلق، استخدم سلك تمديد مناسب للاستخدام في الهواء الطلق. يقلل استخدام السلك المناسب للاستخدام في الهواء الطلق من خطر حدوث صدمة

9. إذا كان تشغيل الطاقة في مكان رطب أمر لا مفر منه، استخدم الإمداد المحمي للجهاز الحالي المتبقي المتبقي (RCD). استخدام RCD يقلل من خطر حدوث صدمة كهربائية.
- ملاحظة: يمكن المصطلح "الجهاز الحالي المتبقي (RCD)" قد يستبدل بمصطلح "قاطع الدائرة العطل الأرضي (GFCI)" أو "قاطع دائرة تسرب الأرض (ELCB)".

السلامة الشخصية

10. ابق في حالة تأهب، وشاهد ما تقوم به واستخدام الحس السليم عند تشغيل أداة الطاقة. لا تستخدم أداة الطاقة أثناء تعبك أو تحت تأثير المخدرات أو الكحول أو الدواء. لحظة من عدم الانتباه أثناء تشغيل أدوات الطاقة قد يؤدي إلى إصابة شخصية خطيرة.
11. استخدام معدات الوقاية الشخصية. دائما ارتداء حماية العين. معدات الحماية مثل قناع الغبار، وأحذية السلامة عدم الانزلاق، والقبعة الصلبة، أو حماية السمع المستخدمة في الظروف المناسبة سوف يقلل من الإصابات الشخصية.
12. منع بدء غير مقصود. تأكد من أن المفتاح في وضع إيقاف التشغيل قبل التوصيل بمصدر الطاقة و / أو مجموعة البطارية، أو التقاط الأداة أو حملها. تحمل أدوات الطاقة بإصبعك على مفتاح أو تنشيط أدوات الطاقة التي لديها مفتاح يسبب الحوادث.
13. ازال أي مفتاح ضبط أو مفتاح ربط قبل تشغيل الأداة. قد يؤدي مفتاح الربط أو مفتاح اليسار المرفق بالجزء الدوار أداة الطاقة إلى حدوث إصابة شخصية.
14. لا تفرط. احتفاظ بالأساس السليم والتوازن في جميع الأوقات. وهذا يتيح أفضل السيطرة على أداة الطاقة في حالات غير متوقعة..
15. لباس بشكل صحيح. لا ترتدي ملابس فضفاضة أو مجوهرات. احتفاظ بشعرك وملابسك وقفازاتك بعيدا عن الأجزاء المتحركة. الملابس فضفاضة، والمجوهرات أو الشعر الطويل يمكن أن تشتعل في أجزاء متحركة.
16. إذا تم توفير أجهزة لتوصيل مرافق استخراج الغبار ووسيلات التجميع، تأكد من توصيلها واستخدامها بشكل صحيح. استخدام جمع الغبار يمكن أن يقلل من المخاطر المتعلقة بالغبار.

استخدام أداة الطاقة والعناية بها

17. لا تدفع بقوة أداة الطاقة. استخدام أداة الطاقة الصحيحة للتطبيق الخاص بك. أداة الطاقة الصحيحة سوف تفعل هذه المهمة بشكل أفضل وأكثر أمنا في المعدل الذي تم تصميمه.
18. لا تستخدم الأداة إذا لم يتم تشغيلها أو إيقاف تشغيلها. أي أداة الطاقة التي لا يمكن السيطرة عليها مع المفتاح هو أمر خطير ويجب إصلاحه.

19. أفضل القابس من مصدر الطاقة و/أو مجموعة البطارية من أداة الطاقة قبل إجراء أي تعديلات أو تغيير الملحقات أو تخزين أدوات الطاقة. وتقلل هذه تدابير السلامة الوقائية من خطر بدء تشغيل أداة الطاقة بطريق الخطأ.
20. قم بتخزين أدوات الطاقة الخاملة بعيدا عن متناول الاطفال ولا تسمح للأشخاص غير المأوفين بأداة الطاقة أو هذه التعليمات بتشغيل أداة الطاقة. أدوات الطاقة هي خطيرة في أيدي المستخدمين غير المدربين.
21. الحفاظ على أدوات الطاقة. تحقق من عدم توافق أو ربط الأجزاء المتحركة وكسر الأجزاء وأية حالة أخرى قد تؤثر على تشغيل أداة الطاقة. إذا تضررت، لديها أداة الطاقة تمت إصلاحها قبل الاستخدام. وتسبب العديد من الحوادث بسبب سوء صيانة أدوات الطاقة.
22. احتفاظ أدوات للقطع حادة ونظيفة. إن أدوات القطع التي يتم الحفاظ عليها بشكل صحيح مع حواف القطع الحادة تكون أقل عرضة للربط وتسهل التحكم فيها.
23. استخدام أداة الطاقة والاكسسوارات وبت أداة... الخ وفقا لهذه التعليمات، مع الأخذ بعين الاعتبار ظروف العمل والعمل الذي يتعين القيام به. وقد يؤدي استخدام أداة التشغيل المختلفة عن تلك المقصودة إلى وضع خطير.

الخدمة

24. لديك أداة الطاقة الخاصة بك من قبل شخص إصلاح المؤهلين باستخدام قطع الغيار متطابقة فقط. وهذا يضمن الحفاظ على سلامة أداة الطاقة.

تحذير الفولتية

قبل توصيل الجهاز بمصدر طاقة (وعاء، مأخذ التيارات الكهربائي، وما إلى ذلك)، تأكد من أن الفولتية الموردة هو نفسه الذي تم تحديده على لوحة الجهاز. مصدر الطاقة مع الفولتية أكبر من ذلك المحدد للجهاز يمكن أن يؤدي إلى إصابة خطيرة للمستخدم، فضلا عن الأضرار للجهاز. إذا كنت في شك، لا سد في الجهاز. باستخدام مصدر الطاقة مع الفولتية أقل من تصنيف لوحة هو ضار للمحرك.

مواصفات

		AAG07-100	AAG07-115
طاقة الدخل المقدرة		710W	710W
السرعة المقدرة		13000 r/min	11800 r/min
حجم عجلة القيادة	مخطط بياني خارجي	100mm	115mm
	كثافة	4 mm	4 mm
	مخطط بياني دخلي	16mm	22 mm
وزن صافى		1.6 kg	1.6kg

※ بسبب استمرار برنامج البحث والتطوير، تخضع المواصفات الواردة هنا للتغيير دون إشعار مسبق.

تعليمات السلامة لجميع التشغيلات

تحذيرات السلامة العامة للسفن

- تهدف هذه الأداة السلطة لتكون بمثابة طاحونة. قراءة جميع تحذيرات السلامة والتعليمات والرسوم التوضيحية والمواصفات المقدمة مع هذه الأداة الطاقة. قد يؤدي عدم اتباع جميع التعليمات الواردة أدناه إلى حدوث صدمة كهربائية أو حريق أو إصابة خطيرة.
- لا يوصى بإجراء عمليات مثل رش بالرمل، الصقل أو فرشاة الاسلاك أو، أو القطع، باستخدام تشغيلات لأداة الطاقة التي لم يتم تصميم أداة الطاقة لها قد تسبب خطرا وإصابة شخصية.
- لا تستخدم الملحقات التي لم يتم تصميمها على وجه التحديد وأوصت بها المصنع للأداة. فقط لأن الملحق يمكن أن تعلق على أداة الطاقة الخاصة بك، فإنه لا يضمن التشغيل الآمن.
- يجب أن تكون السرعة المقدرة للملحق مساوية للسرعة القصوى المحددة على أداة الطاقة. الملحقات تشغيل أسرع من سرعة تصنيفها يمكن كسر وتطير بعيدا.
- يجب أن يكون قطر الدائرة الخارجي وكثافة ملحقة ضمن تصنيف قدرة أداة الطاقة الخاصة بك. لا يمكن حماية الملحقات ذات الحجم غير الصحيح أو التحكم فيها بشكل كاف.
- تركيب الخيوط من الملحقات يجب أن تتطابق مع خيط ربط طاحونة المغزل. بالنسبة للملحقات التي يتم تركيبها بواسطة الشفة، يجب أن تتوافق ثقب الشجرة في الملحق مع قطر موضع الشفة. الملحقات التي لا تتطابق مع الأجهزة المتزايدة لأداة الطاقة سوف تنفد من التوازن، ويهتز بشكل مفرط وقد يسبب فقدان السيطرة.

- (g) لا تستخدم ملحق تالف. قبل كل استخدام، فحص ملحق مثل عجلات جلخ للرقائق والشقوق، وسادة دعم للشقوق، الشق أو ارتداء الزائد، فرشاة سلك للأسلاك فضفاضة أو متصدع. إذا تم إسقاط أداة الطاقة أو ملحق، افحص الأضرار أو ثبت ملحق غير التالفة. بعد فحص وتركيب ملحق، ضع نفسك والمارة بعيدا عن الطائرة من ملحق الدورية وتشغيل أداة الطاقة في أقصى سرعة عدم التحميل لمدة دقيقة واحدة. سوف تدمر الملحقات التالفة عادة خلال هذا الوقت الاختبار.
- (h) ارتداء معدات الوقاية الشخصية. اعتمادا على التطبيق، استخدام درع الوجه، نظارات لوقاية السلامة أو نظارات السلامة. حسب الحاجة، وارتداء قناع الغبار، واقيات السمع، وقفازات وميدان ورشة عمل قادرة على وقف قطع صغيرة جلخ أو قطعة العمل. يجب أن تكون حماية العين قادرة على وقف الحطام الطائر الناتجة عن عمليات مختلفة. يجب أن يكون قناع الغبار أو جهاز التنفس قادرا على ترشيح الجسيمات الناتجة عن العملية. قد يسبب التعرض لفترات طويلة للضوضاء عالية الكثافة فقدان السمع.
- (i) بقاء المارة مسافة آمنة بعيدا عن منطقة العمل. يجب على أي شخص يدخل منطقة العمل ارتداء معدات الوقاية الشخصية. شظايا من الشغل أو الملحق المكسورة قد تطير بعيدا وتسبب الإصابة خارج منطقة مباشرة من التشغيل.
- (j) أمسك أداة الطاقة بسطح قابض معزولة فقط، عند إجراء التشغيل حيث قد يعرض ملحق القطع بالسلك الخفي أو سلكه الخاص. قد يؤدي قطع الملحق التي تعرض بالسلك "الحي" إلى جعل الأجزاء المعدنية المكشوفة من أداة الطاقة "حية" ويمكن أن تعطي المشغل صدمة كهربائية.
- (k) ضع السلك واضحا من ملحق الغزل. إذا فقدت السيطرة، قد يتم قطع السلك أو تمزقه وقد يتم سحب يدك أو ذراعك في ملحق الغزل.
- (l) لا تضع أداة الطاقة مطلقا حتى يأتي الملحق بالكامل. قد يقوم ملحق الغزل بالانزاع للسطح وسحب أداة الكهرباء خارج نطاق التحكم.
- (m) لا تقم بتشغيل أداة الطاقة أثناء حملها على الجانب الخاص بك. الاتصال العرضي مع الغزل التبعية يمكن أن يعطل الملابس الخاصة بك، وسحب ملحق في الجسم.
- (n) قم بتنظيف فتحات تهوية أداة الطاقة بانتظام. سوف تسحب مروحة المحرك الغبار داخل السكن والتراكم المفرط للمعدن مسحوق قد يسبب مخاطر كهربائية.
- (o) لا تقم بتشغيل أداة الطاقة بالقرب من المواد القابلة للاشتعال. الشرر يمكن أن تشعل هذه المواد.
- (p) لا تستخدم الملحقات التي تتطلب مبردات سائلة. قد يؤدي استخدام الماء أو المبردات السائلة الأخرى إلى حدوث صدمة كهربائية أو صدمة.

مزيد من تعليمات السلامة لجميع التشغيلات

الدفعة القسرية والتحذيرات ذات الصلة

الدفعة القسرية هي رد فعل مفاجئ إلى عجلة دوارة مقروص أو مفصلي، وسادة دعم، فرشاة أو أي ملحق آخر. يؤدي التعرق أو التعتل إلى حدوث توقف سريع في الملحقات الدائرية مما يؤدي بدوره

إلى إجبار أداة الطاقة غير المنضبط على عكس اتجاه دوران الملحق عند نقطة الربط. على سبيل المثال، إذا كانت العجلة الكاشطة مثبتة أو مقروسة بالمشغل، تمكن حافة العجلة التي تدخل في نقطة التقشير أن تنقش في سطح المادة التي تتسبب في تسلق العجلة أو الخروج منها. قد تتحرك العجلة إما نحو المشغل أو بعيدا عنه، اعتمادا على اتجاه حركة العجلة عند نقطة معسر. ويمكن أيضا أن تتكسر العجلات الكاشطة تحت هذه الظروف.

الدفعة القسرية هي نتيجة استخدام أداة الطاقة لإساءة و/ أو إجراءات أو شروط تشغيل غير صحيحة ويمكن تجنبها عن طريق اتخاذ الاحتياطات المناسبة على النحو المبين أدناه.

(a) أ) الحفاظ على قبضة قوية على أداة الطاقة ووضع جسمك والذراع للسماح لك لمقاومة قوات الدفعة القسرية.. دائما استخدام مقبض مساعدة، إذا قدمت، لأقصى قدر من السيطرة على الردة أو رد فعل عزم الدوران أثناء بدء التشغيل. يمكن للمشغل التحكم في ردود الفعل عزم الدوران أو قوات الدفعة القسرية، إذا اتخذت الاحتياطات المناسبة.

(b) لا تضع يدك بالقرب من الملحق الدوار. ملحق قد يطرد على يدك.

(c) لا تضع جسمك في المنطقة حيث أداة الطاقة سوف تتحرك في حالة حدوث الدفعة القسرية. سوف الدفعة القسرية دفع الأداة في الاتجاه المعاكس لحركة العجلة عند نقطة الانكماش.

(d) استخدام رعاية خاصة عند العمل زوايا، حواف حادة الخ. تجنب كذاب والتخنثر التبعي. زوايا، حواف حادة أو كذاب لديها ميل إلى عطل التبعي الدورية ويسبب فقدان السيطرة أو الدفعة القسرية.

(e) لا تعلق شفرة المنشار نحت الخشب سلسلة أو رأى شفرة مسننة. هذه الشفرات تخلق الدفعة القسرية المتكررة وفقدان السيطرة.

تحذيرات السلامة إضافية لتشغيل السن

(a) استخدم أنواع العجلات فقط الموصى بها لأداة الطاقة الخاصة بك والحرس المحدد المصمم للعجلة المحددة. العجلات التي لم يتم تصميم أداة الطاقة لا يمكن حراسة كافية وغير آمنة.

(b) يجب أن يتم تركيب سطح السن عجلات مركز أسفل الطائرة من الشفة الحرس. العجلة المركب غير صحيح أن تنتئ من خلال الطائرة من الشفة الحرس لا يمكن أن تكون محمية بشكل كاف.

(c) يجب أن يكون الحارس مرتبطا بشكل آمن بأداة الطاقة وموزعة لأقصى قدر من الأمان، وبالتالي فإن أقل كمية من العجلات تتعرض للمشغل. الحارس يساعد على حماية المشغل من شظايا العجلة المكسورة والاتصال العرضي مع عجلة والشرر التي يمكن أن تشعل الملابس.

(d) يجب استخدام العجلات فقط للتطبيقات الموصى بها. على سبيل المثال: لا تجلخ مع الجانب من عجلة القطع. وتهدف عجلات قطع جلخ لسن الطرفية، والقوى الجانبية الذي يتم تطبيقها على هذه العجلات قد يسبب لهم أن تتحطم.

- (e) استخدم دائما الشفة ذات العجلات غير التالفة ذات الحجم والحجم الصحيح للعجلة التي اخترتها. شفرات العجلات المناسبة تدعم عجلة القيادة وبالتالي تقليل إمكانية الكسر. الشفة لعجلات القطع قد تكون مختلفة من سن عجلة الشفاه.
- (f) لا تستخدم عجلات البالية من أدوات الطاقة الأكبر حجما. عجلة مخصصة لأداة طاقة أكبر ليست مناسبة لسرعة أعلى لأداة أصغر ويمكن أن تنفجر.

الحفاظ على هذه التعليمات.

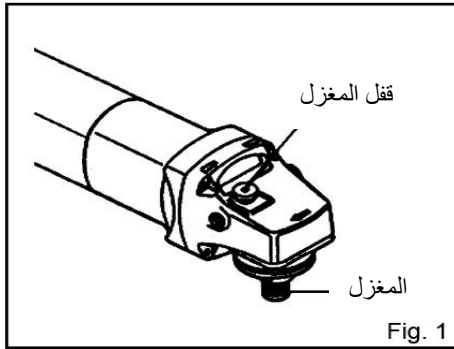
تحذير! سوء استخدام أو عدم اتباع قواعد السلامة الواردة في دليل التعليمات هذا قد يتسبب في إصابة شخصية

التعليمات للتشغيل

قفل المغزل

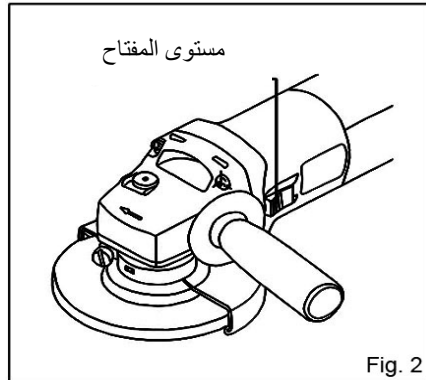
الحد:

- تأكد دائما من إيقاف تشغيل الأداة وفصلها قبل ضبط الوظيفة أو فحصها على الأداة
- لا تحريك قفل المغزل أبدا عندما المغزل يتحرك. الأداة قد تتلف.



اضغط على قفل المغزل لمنع دوران

المغزل عند تثبيت أو إزالة الملحقات (Fig. 1).



مفتاح التشغيل

الحد:

- قبل توصيل الأداة، تحقق دائما لمعرفة أن المفتاح يعمل بشكل صحيح ويعود إلى وضع "أوف" عندما يكون مستوى الجزء الخلفي ذراع المفتاح منخفضا.
- للفتح أون، اضغط على مستوى الجزء الخلفي من ودفعه للأمام. ثم اضغط على الجبهة من

ذراع المفتاح لقفله.

للاغلاق، قم بضغط مستوى الجزء الخلفي من ذراع المفتاح. (Fig. 2)
التثبيت وإزالة حرس العجلة

الخطر:

- احرص دائما على إيقاف تشغيل الأداة وفصلها قبل تثبيت أو إزالة حاجز العجلة
- لا تتحرك أبدا قفل رمح عندما المغزل يتحرك. الأداة قد تتلف.

ركب حارس العجلة مع نتوء على الفرقة حرس العجلة الانحياز مع الشق على كرسي التحميل. ثم دور الحرس عجلة حوالي 180

درجة. اكد من تشديد المسمار بشكل آمن (Fig. 3).

لإزالة واقى العجلة، اتبع إجراء التثبيت في الاتجاه المعاكس..

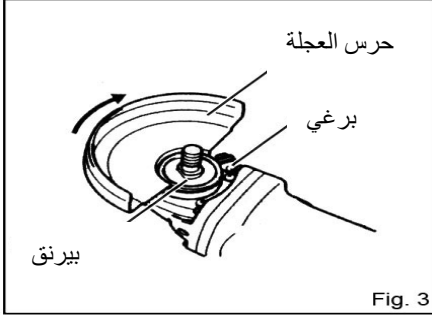


Fig. 3

مقبض مساعد

الخطر:

- تأكد دائما من إيقاف تشغيل الأداة وفصلها قبل القيام بأي عمل على الأداة.
- تأكد دائما من تثبيت المقبض المساعد بشكل آمن قبل التشغيل.
- برغي مقبض مساعد بشكل آمن على جانبي رأس أداة (مبيت الترس).

(Fig. 4)

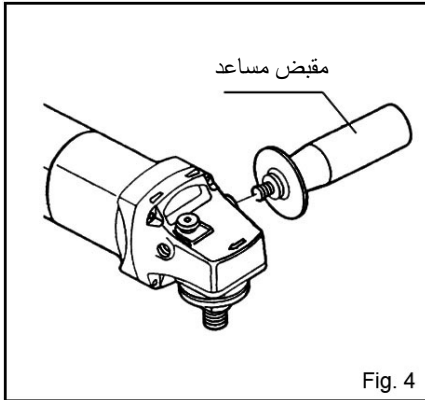
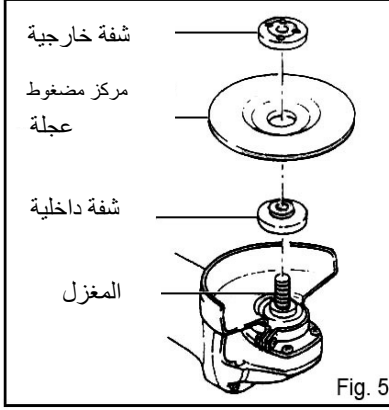


Fig. 4

تثبيت وإزالة عجلة المركز المضغوط

الخطوات:



- تأكد دائما من إيقاف تشغيل الأداة وفصلها قبل تثبيت العجلة أو إزالتها.
- عند استخدام عجلة سن المركز المضغوط، يجب تركيب حرس العجلة على الأداة بحيث يشير الجانب المغلق من الحارس دائما نحو المشغل.
- برغي شفة الداخلية على المغزل. اضغط على المغزل قفل بحزم بحيث المغزل لا يمكن تدور، ثم استخدام قفل الجوز وجع لتأمين شفة الداخلية. تجهز العجلة على أكثر من شفة الداخلية والمسمار شفة الخارجي على المغزل (Fig. 5).

- اضغط على المغزل قفل بحزم بحيث المغزل لا يمكن تدور ومن ثم استخدام قفل الجوز وجع لتشديد شفة الخارجي بشكل آمن.

لإزالة عجلة القيادة، اتبع إجراءات التثبيت في الاتجاه المعاكس

تشغيل رمش بالرمل والسن

الحذير:

- لا ينبغي أبدا أن يكون ضروريا لإجبار الأداة. وزن الأداة ينطبق الضغط المناسب. وقد يؤدي الإجبار والضغط المفرط إلى حدوث كسر في كسر العجلات الخطير.
- دائما استبدال عجلة إذا تم إسقاط أداة أثناء السن.
- أبدا فرقة أو ضرب السن القرص أو العجلة على العمل.
- تجنب ضرب قوي وشق العجلة ، وخصوصا عندما تعمل زوايا، حواف حادة الخ وهذا يمكن أن يسبب فقدان السيطرة والدفعة القسرية.

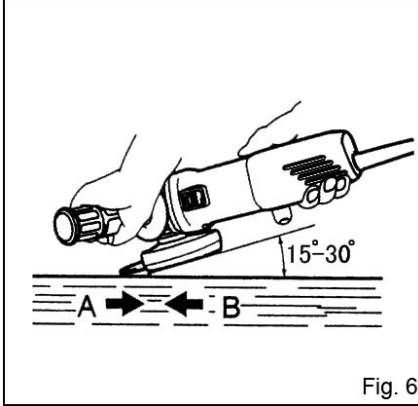


Fig. 6

- لا استخدام أداة ابدا مع شفرات قطع الخشب و ساولادس أخرى. هذه الشفرات عند استخدامها على جلاخة زوايا في كثير من الأحيان ركلة ويسبب فقدان السيطرة مما يؤدي إلى الإصابة الشخصية.
- أمسك الأداة بحزم، أدر الأداة ثم ضع العجلة أو القرص بزوايا حوالي 15 درجة إلى الشغل (Fig. 6) .

خلال فترة الانقطاع مع عجلة جديدة، لا تعمل جلاخة اللزوايا في الاتجاه B ، أو أنها سوف تقطع الشغل. عندما يتم تقريب حافة عجلة قبالة عن طريق الاستخدام، وقد يمكن أن تعمل العجلة في كل من A و B الاتجاهات.

الحذر:

بعد التشغيل، قم دائما بإيقاف تشغيل الأداة وانتظر حتى تأتي العجلة إلى نقطة توقف كاملة قبل وضع الأداة لأسفل.

الصيانة والفحص

الحذر:

احرص دائما على إيقاف تشغيل الأداة وفصلها قبل محاولة إجراء الفحص أو الصيانة..

بعد الاستعمال

ضربة بعيدا الغبار من داخل الأداة عن طريق تشغيل الأداة في الخمول لفترة من الوقت.
فرشاة قبالة تراكم الغبار على القاعدة..

تراكم الغبار في المحرك أو على القاعدة قد يؤدي إلى خلل في الأداة.

تفتيش العجلة المركزية الضغوطة

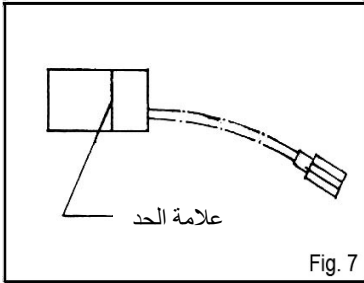
تأكد من أن العجلة المركزية الضغوطة خالية من الشقوق والعيوب السطحية

فحص المسامير المركبة

تفقد بانتظام جميع المسامير المركبة والتأكد من أنها مشددة بشكل صحيح. إذا كان أي من المسامير تكون فضفاضة، تشدها على الفور و عدم اتباع ذلك وقد يؤدي عدم القيام بذلك إلى مخاطر خطيرة.

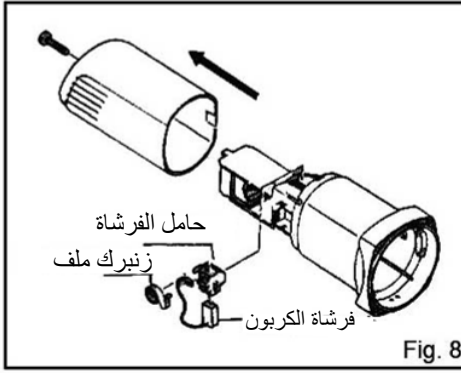
صيانة المحرك

وحدة محرك اللف هو "قلب" جدا من أداة الطاقة. ممارسة العناية الواجبة لضمان اللف لا تتضرر و / أو الرطب مع النفط أو الماء



استبدال فرشاة الكربون

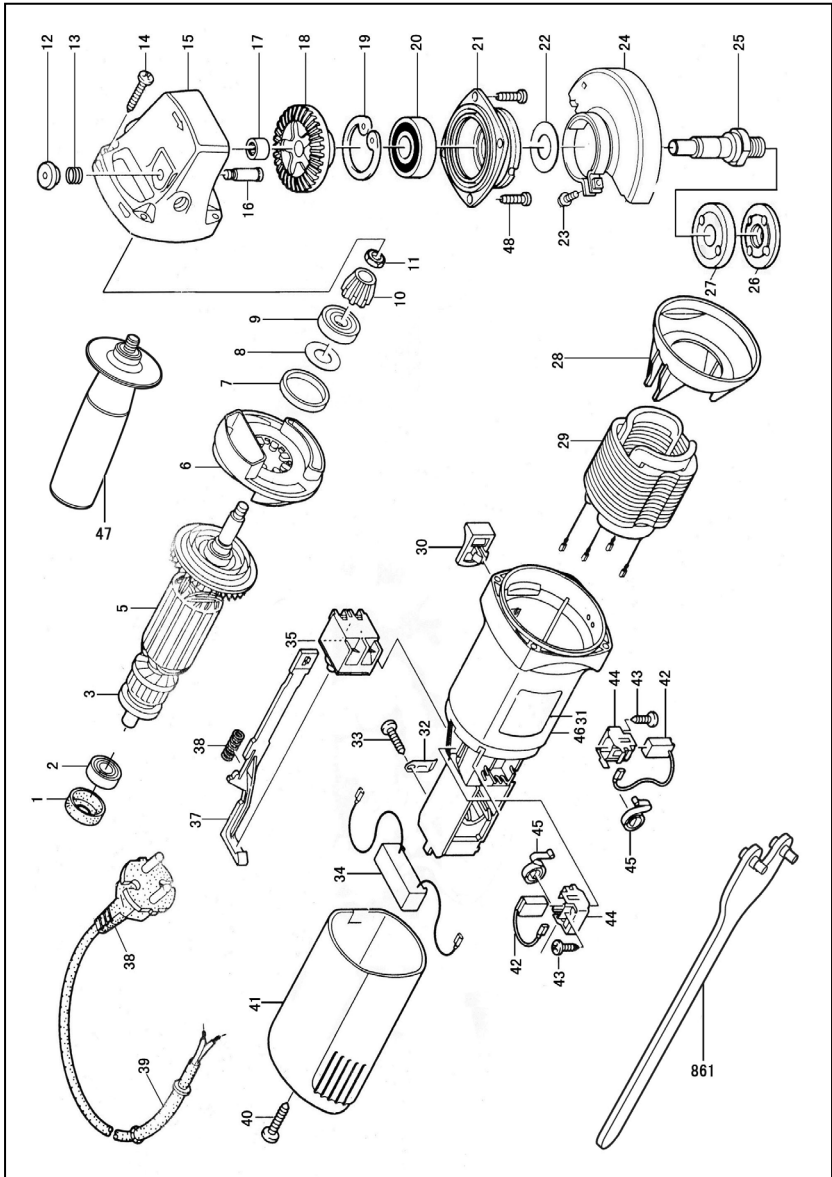
إزالة وفحص فرشاة الكربون بانتظام. استبدال عند ابلائه
الحفاظ على فرش الكربون نظيفة وحررة في الانزلاق في
ويبغى استبدال كل من فرشاة الكربون في نفس الوقت.
استخدام فرشاة الكربون متطابقة فقط (Fig. 7).



استخدم مفك براغي لإزالة الغطاء الخلفي. افصل فرشاة الكربون من حامل الفرشاة، ثم اسحب بلفيل الربيع وأخرج شجيرة الكربون البالية واستبدل واحدة جديدة؛ حرر نبع بيليفيل وأعد توصيل كل فرشاة الكربون مع حامل الفرشاة. ثم (Fig. 8). تشديد الغطاء الخلفي بشكل آمن

Fig. 8

✳ يجب استبدال السلك التالف بسلك خاص تم شراؤه من مركز الخدمة المعتمد.
 ✳ للحفاظ على سلامة المنتج وموثوقية، والإصلاحات، وأية صيانة أو تعديل أخرى ينبغي أن يؤديها المراكز المفوضة، ودائماً باستخدام قطع الغيار الأصلية.



شرح العرض العام

1	غطاء عالي ذو القدرة التحملية	26	الشفة الخارجي
2	بيرنق	27	الشفة الداخلية
3	واشر العزل	28	لوحة أربك
5	محرك المجعية	29	عضو ساكن المجعية
6	لوحة دليل	30	مفتاح المقبض
7	ختم النقط	31	لوحة
8	واشر	32	تخفيف الضغط
9	بيرنق	33	مسمار عموم رئيس التنصت
10	ترس مخروطي حلزوني أسنان القيادة	34	المكثف
11	الصامولة السداسية	35	تبديل التجمع
12	قفل الجوز	36	ضغط الزنبرك
13	زنبرك أوتولوكينغ	37	مستوى المفتاح الكهربائي
14	مسمار عموم رئيس التنصت	38	السلك
15	مبيت الترس	39	حرس السلك
16	مسمار القفل	40	مسمار عموم رئيس التنصت
17	محمل الإبرة	41	الغطاء الخلفي
18	ترس مخروطي حلزوني أسنان القيادة	42	فرشاة كربون
19	حلقة زنق للثقب	43	عموم رئيس التنصت المسمار
20	غسالة العزل	44	حامل فرشاة الكربون
21	كرسي تحميل	45	زنبرك بليفيل
22	واشر	46	محرك الإسكان
23	مسمار ملولب ذو رأس اسطواناني مخدد	47	محاثة كهربائية
24	غطاء العجلة	48	مسمار عموم رئيس التنصت
		861	مفتاح الربط
25	محرك المغزل	862	مقبض مساعد

PATTA International Limited

OPI ID : PTA-1803